

TECHNICAL DATASHEET



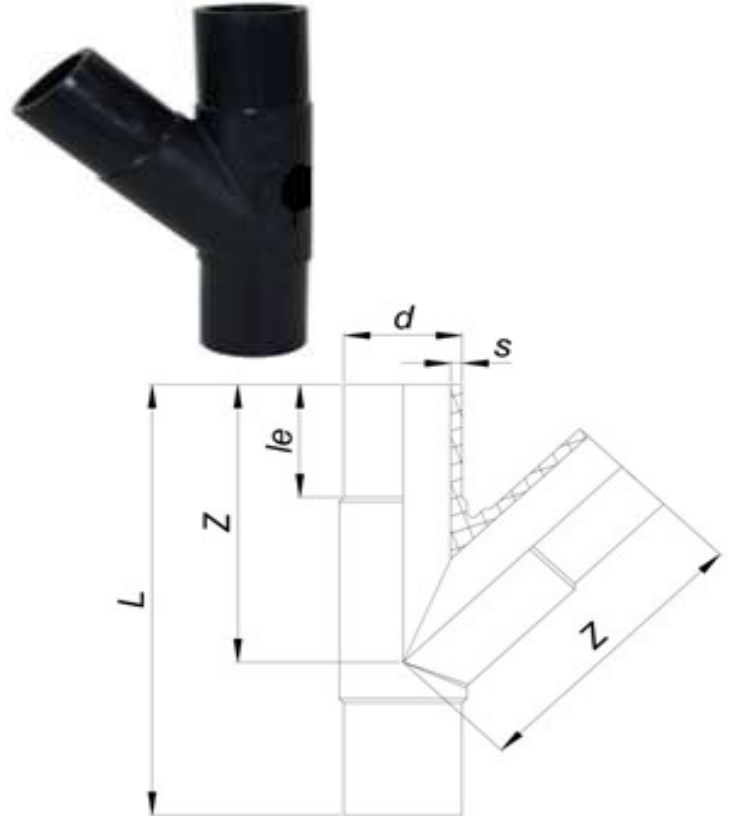
WYE TEE 45°

03 Update - 04/2024

TECHNICAL DATA

Article No	001 115 0045 0075
d (mm)	75
L (mm)	284
le (mm)	72
Z (mm)	185
s (mm)	4,5
Weight (Kg)	0,540
Box Quantity (pcs)	20
Box Dimension (pcs)	55x30x43,5

INJECTION MOULDED



IDENTIFICATION OF PRODUCT

D(mm)	75
SDR	17
RAW METARIAL	PE 100
PRESSURE CLASS	10 Bar Water 6 Bar Gas
TRADEMARK	NTG
EXECUTION	Injection Moulded
STANDARD	EN 12201-3 EN 1555-3 AS /NZS 4129

SPECIFICATION

Long Spigot

Tolerance on diameters and thickness according to the standards. The other dimensions are specialized. Tolerance $\pm 5\%$. NTG PLASTIK reserves all the right to change any information without giving prior notice. The production, distribution and utilization of this document without explicit authorization is prohibited.